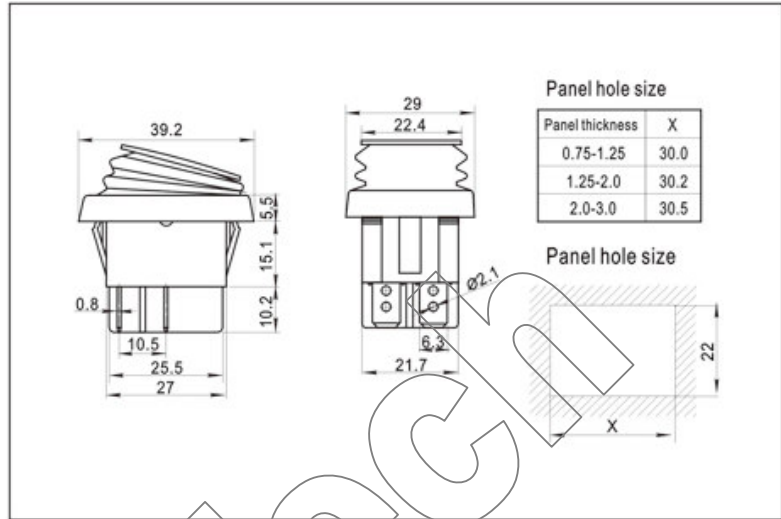


**Rocker Switch (RS2 (P) Series)**



**SPECIFICATIONS**

16 (8) A 250VAC T125/55 1E4  
16A 125VAC / 7.5A 250V 3/4 HP  
**ROHS Compliance**



EXPLANATION MODEL NUMBER

**RS2 (P) - 21/N - 0 - RE/BK - P1 .... (2)**

